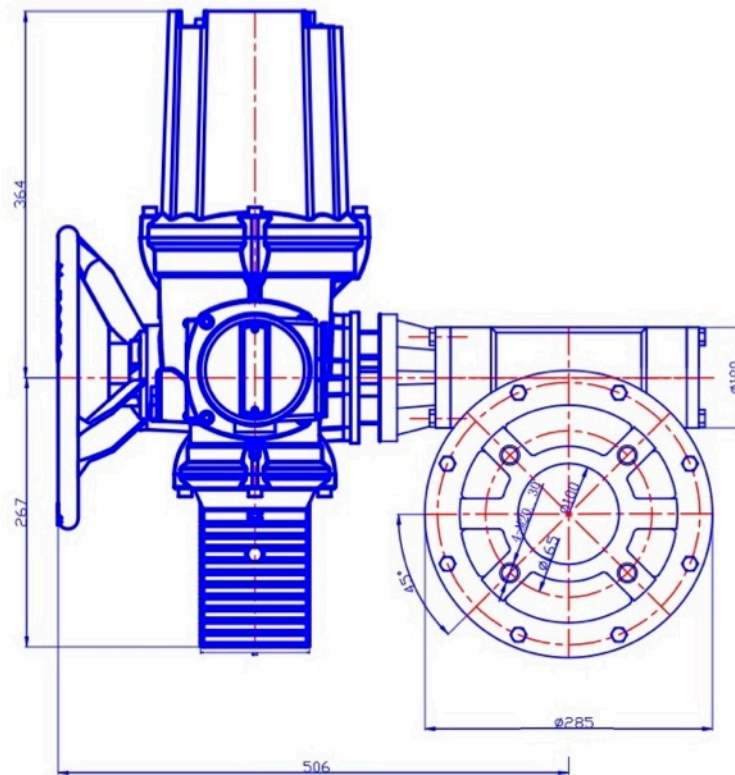
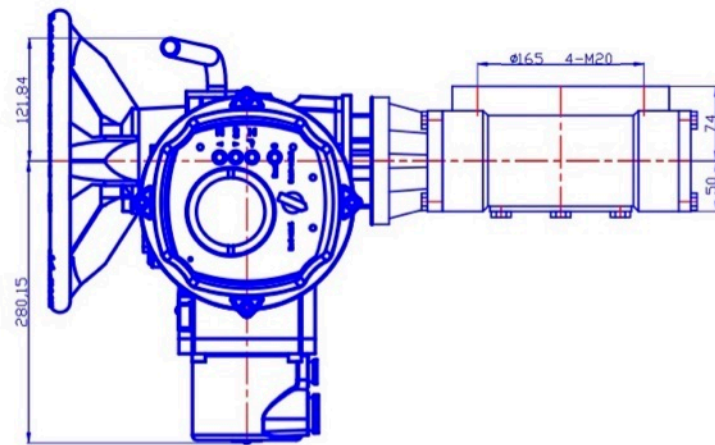


Dimensions

KZC12-GW160-F16



We reserve the right to alter data according to improvements made. Previous documents become invalid with the issue of this document.